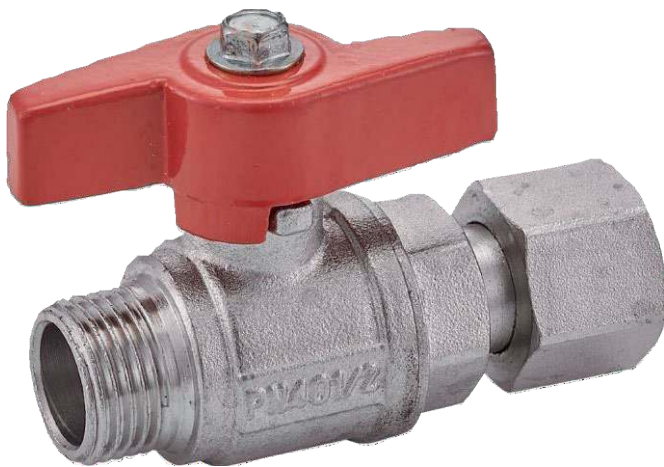


Pressure measurement

Model 7389 Pressure gauge valve - Brass



Specifications

Connection: BSPP male/female thread according to ISO 228-1

Max. pressure: 40 bar

Temperature: -20°C to +60°C

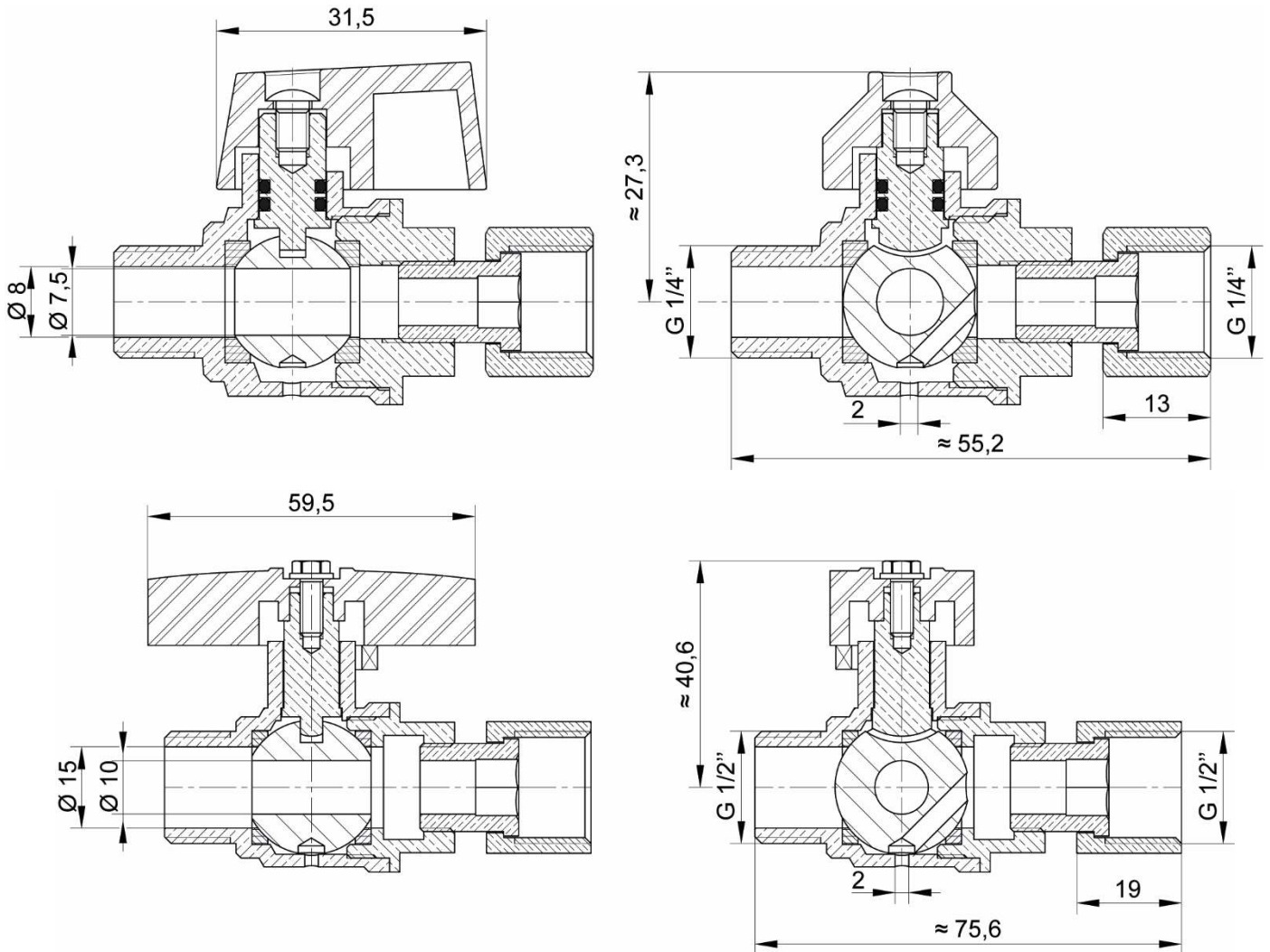
Material: nickel-plated brass

PTFE seat - NBR gasket



Béné Inox – 11 chemin de la Pierre Blanche – 69800 SAINT-PRIEST – S.A.S with 240 000 € share capital – SIREN N° 311 810 287
Tel. N°: +33 (0)4 78 90 48 22 – Fax N°: +33 (0)4 78 90 69 59 – www.bene-inox.com – bene@bene-inox.com

Technical information, illustrations and photographs are provided for information only, they are not contractual. Some may vary according to the tolerances accepted in the profession and the applicable standards. All instructions for use, disassembly and maintenance are recommendations only. These could also vary depending on product usage conditions, its installation environment and purchaser requirements – of which the purchaser alone is responsible for their definition.



Connection (inches)	Part number
1/4" male/f emale BSPP	873893-1/4
1/2" male/f emale BSPP	873893-1/2

Use

You can install the pressure gauge valve directly onto the pressure gauge's connector. You can use it to isolate the pressure gauge from the piping so that you can carry out maintenance without having to purge the system.

The pressure gauge valve contains a drain hole: when you close the valve, the fluid inside the pressure gauge will empty through this 2mm Ø hole.

Use a flat pressure gauge gasket to make sure the valve's connections are sealed correctly: model **7305**.