

Pressure measurement

Model 7388 Pressure gauge cock - with 316 Ti stainless steel valve body and needle



Specifications

Connection: BSPP or NPT male/female thread

Pressure: PN 400

Max. Temperature: +200°C

Material: 316 Ti stainless steel valve body and needle

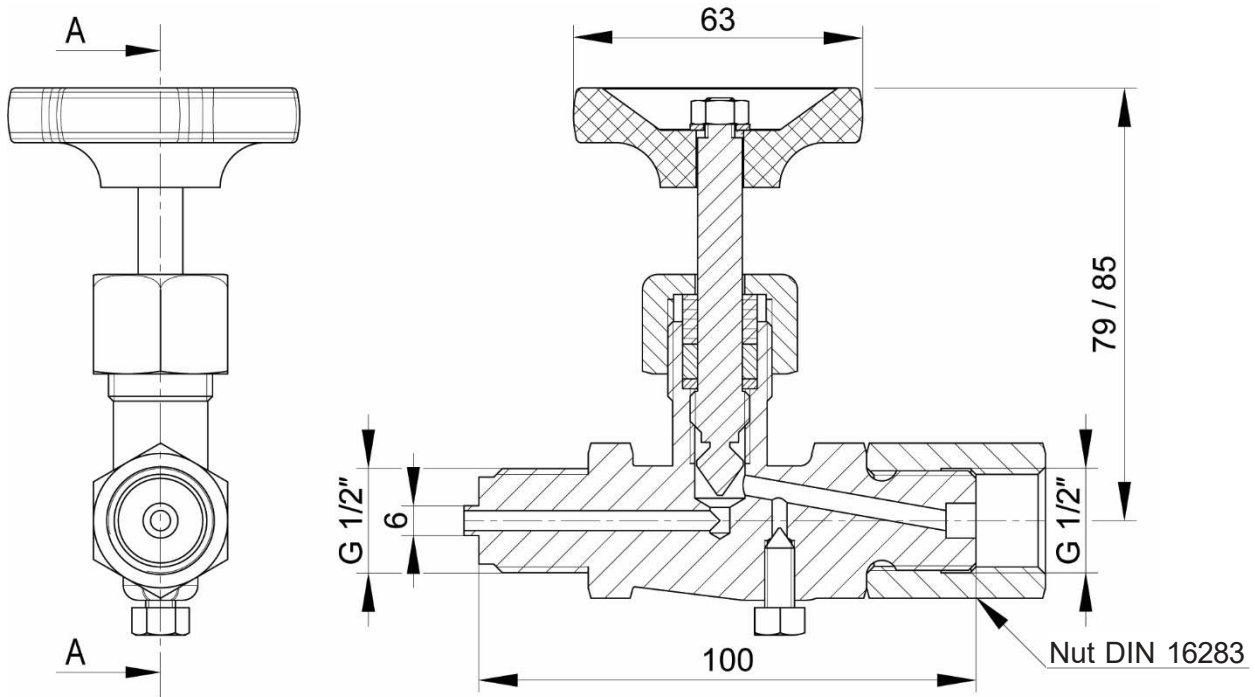
PTFE sealing



Béné Inox – 11 chemin de la Pierre Blanche – 69800 SAINT-PRIEST – S.A.S with 240 000 € share capital – SIREN N° 311 810 287

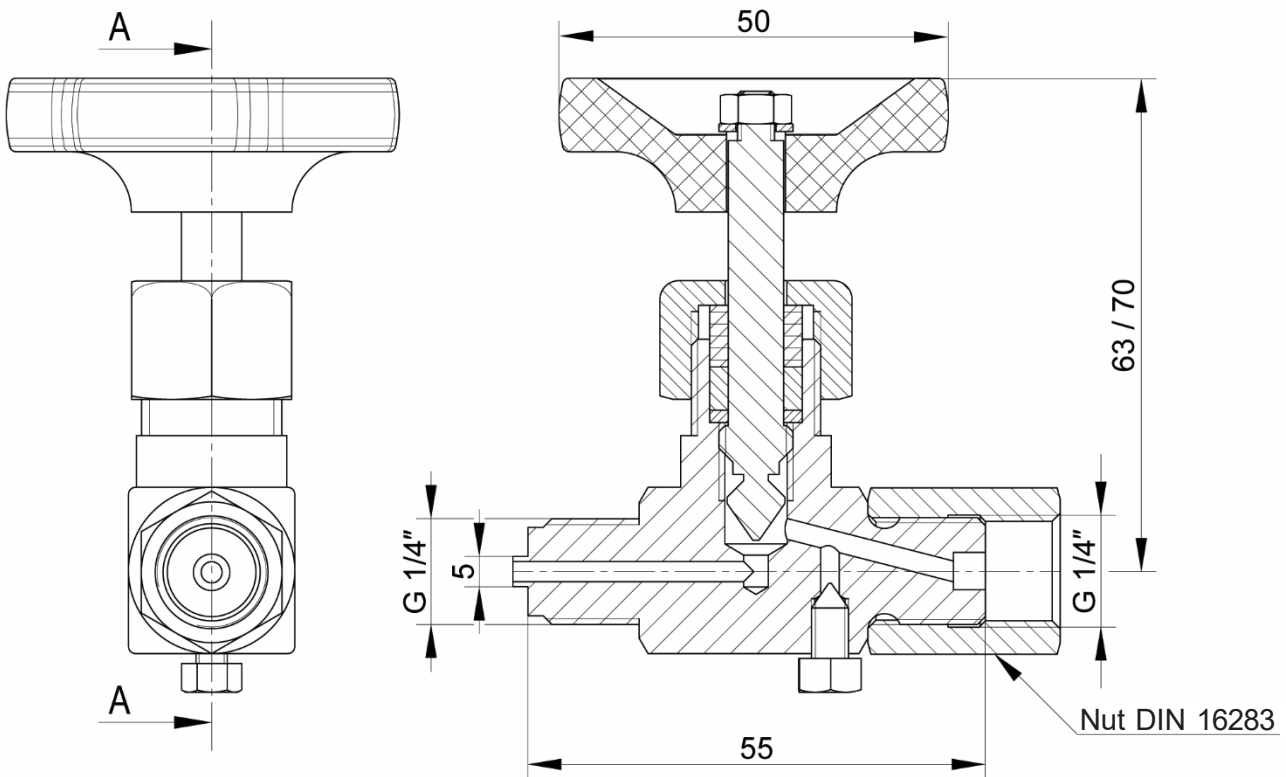
Tel. N°: +33 (0)4 78 90 48 22 – Fax N°: +33 (0)4 78 90 69 59 – www.bene-inox.com – bene@bene-inox.com

Technical information, illustrations and photographs are provided for information only, they are not contractual. Some may vary according to the tolerances accepted in the profession and the applicable standards. All instructions for use, disassembly and maintenance are recommendations only. These could also vary depending on product usage conditions, its installation environment and purchaser requirements – of which the purchaser alone is responsible for their definition.



A-A CROSS SECTION

Model **673883-8** : 1/4" male/female BSPP

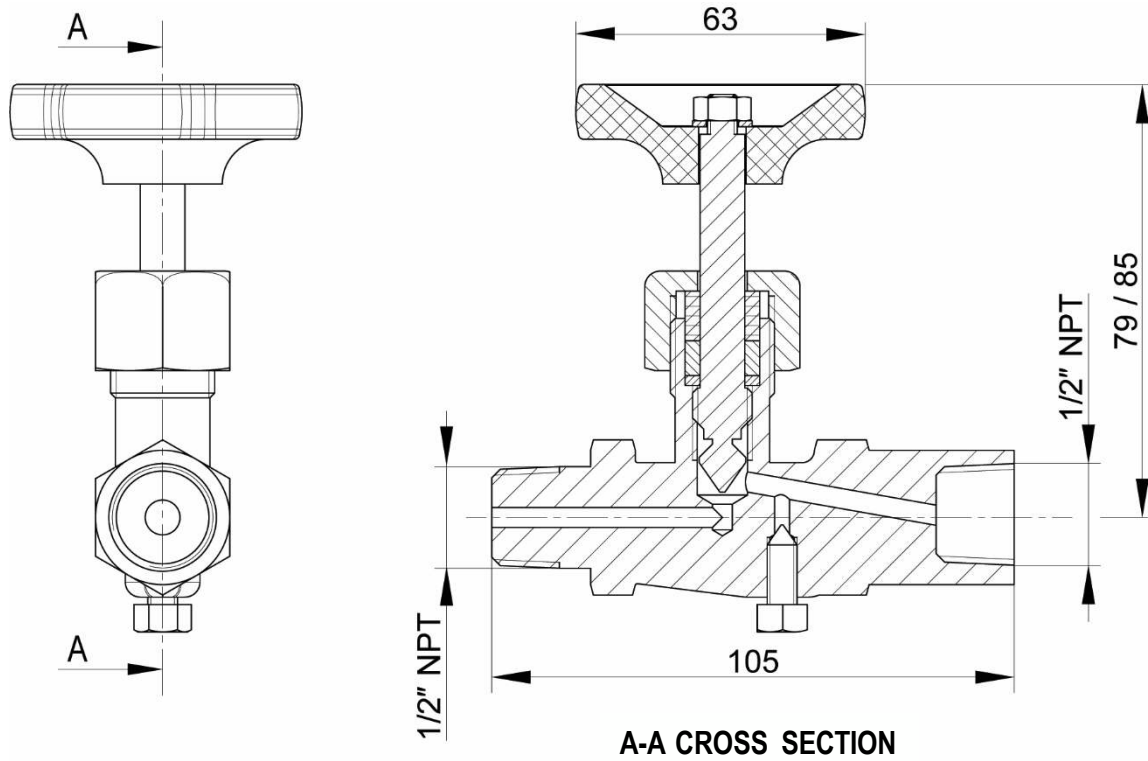


A-A CROSS SECTION

Model **673883-15** : 1/2" male/female BSPP

Béné Inox – 11 chemin de la Pierre Blanche – 69800 SAINT-PRIEST – S.A.S with 240 000 € share capital – SIREN N° 311 810 287
Tel. N°: +33 (0)4 78 90 48 22 – Fax N°: +33 (0)4 78 90 69 59 – www.bene-inox.com – bene@bene-inox.com

Technical information, illustrations and photographs are provided for information only, they are not contractual. Some may vary according to the tolerances accepted in the profession and the applicable standards. All instructions for use, disassembly and maintenance are recommendations only. These could also vary depending on product usage conditions, its installation environment and purchaser requirements – of which the purchaser alone is responsible for their definition.



Model **673885-15**: 1/2" male/female NPT

Connection (inches)	Max. pressure (bar)	Part number
1/4" male/f emale BSPP	250	673883-8
1/2" male/f emale BSPP	400	673883-15
1/2" male/f emale NPT	400	673885-15

The pressure gauge cock includes a M8 bleed screw.

Use a pressure gauge gasket to make sure the valve's connections are sealed correctly: model **7305**.

This pressure gauge cock complies with the DIN 16270 standard.