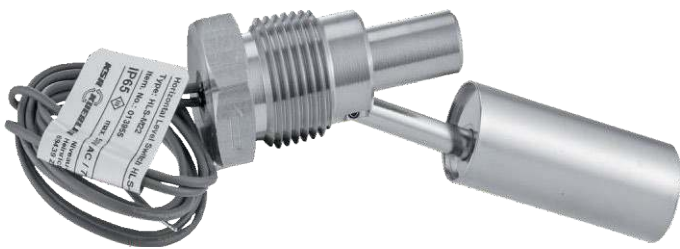


Flow measurement

Model 7359 Miniature Float Switch



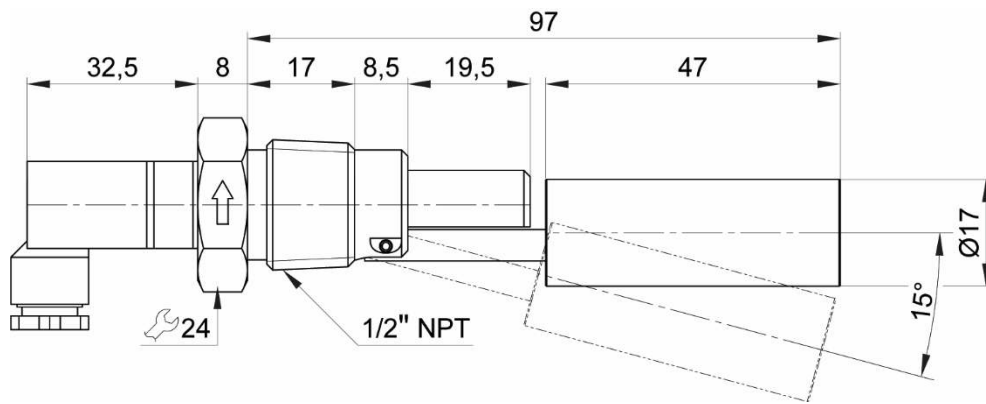
Specifications

Fluid temperature: -40°C to +120°C

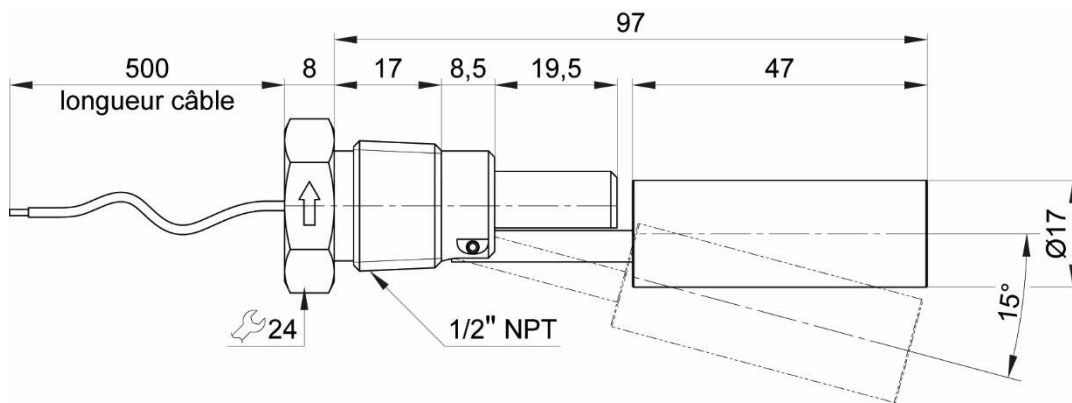
Max. allowed pressure: 5 bar

Material: 1.4301

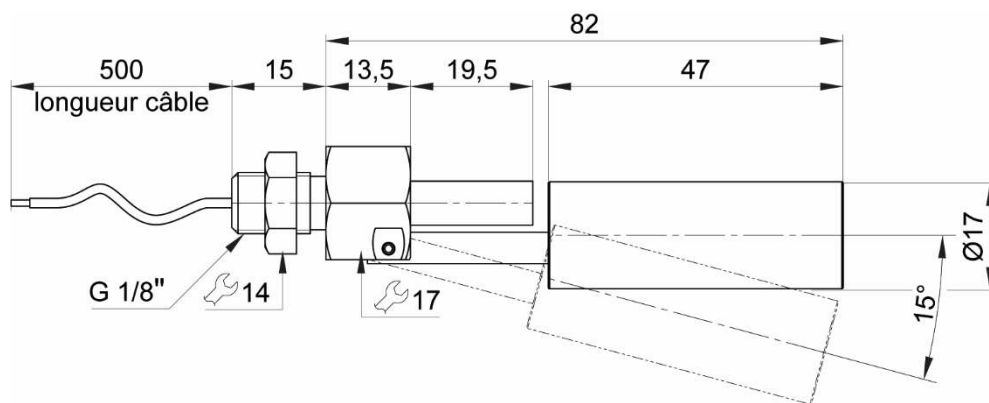
IP65



272591-12



272592-12



272593-18

Electrical connection	Process connection	Part number
DIN 17530-803 connector, 2 pin	1/2" NPT	973591-12
PVC cable, 2x0.5mm ² L=0.5m	1/2" NPT	973592-12
PVC cable, 2x0.5mm ² L=0.5m	G 1/8" BSPP	973593-18

Use

You can use miniature float switches to check the level of a liquid, monitor liquid level, control pumps or detection alarm thresholds, for example.

This float switch model for horizontal installation is compact, so it is ideal for monitoring liquid level in small-sized reservoirs, and for displaying minimum or maximum levels. The switch-off point is indicated thanks to a reed switch which works due to the presence of a permanent magnet. This makes it possible to have non-contact switching without any electrical power supply. The switch contacts do not have electrical potentials.

The float switches do not require any specific maintenance to work optimally. However, if the liquid you use them with is very viscous or sticky, you will need to clean these switches regularly.

The float switches can be installed in normally closed (NC) mode with their floater pointing downwards, or instead in normally open (NO) mode with the floater pointing upwards.

Use a product (e.g. PTFE tape, pipe sealant model **5291**) to make sure the valve's NPT threaded connections are sealed correctly, and flat gaskets (model **5296**) for the sealing of its BSPP threaded connections.

Specifications

- Breaking capacity:
 - < 50 VAC; 25 VA; 0.5 A
 - < 75 VDC; 25 W; 0.5 A
- Horizontal installation
- Density of controlled fluid: $\geq 800 \text{ kg/m}^3$
- Protection rating: IP65
- Max. allowed pressure: 5 bar
- Material: I.430I stainless steel