

# Pressure measurement

Model **7311** **Glycerine filled pressure gauge with stainless steel case**  
Brass lower mount male BSPP vertical connection



## Specifications

**Connection:** complies with EN 837-1 male G 1/4" or G 1/2" according to ISO 228-1

**Temperature range:** -20°C to +60°C

**Pressure range:**

Ø50: -1/0 to 0/250 bar

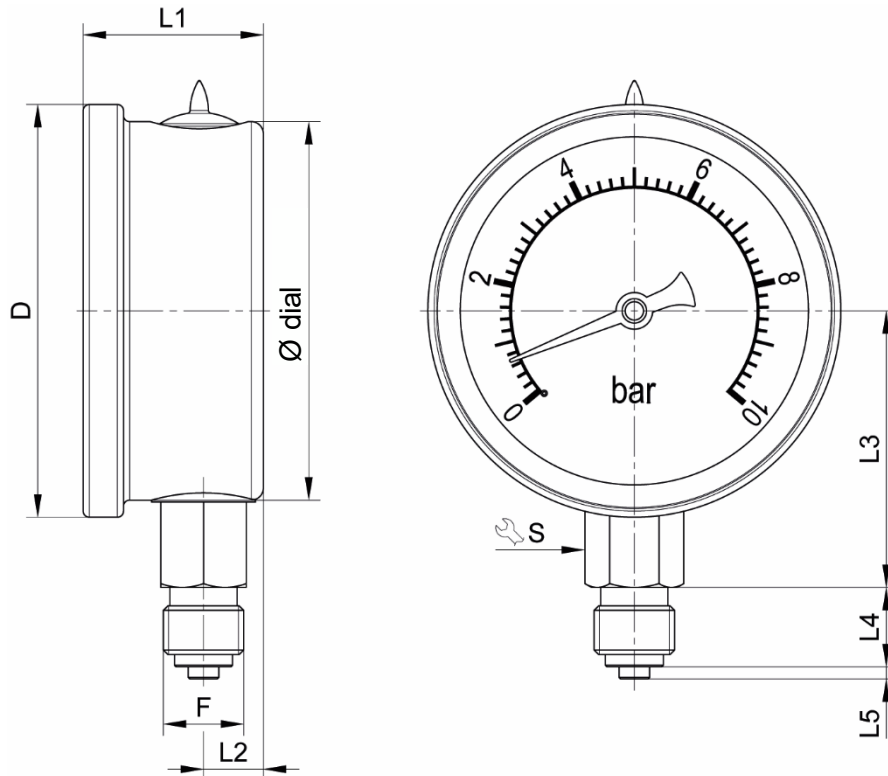
Ø63: -1/0 to 0/1000 bar

Ø100: -1/0 to 0/400 bar

**Accuracy:** class 1.6 according to EN 837

**Material:** AISI 304 stainless steel case and brass connector

**Protection rating:** IP65



Ø dial (mm)	D (mm)	F (mm)	L1 (mm)	L2 (mm)	L3 (mm)	L4 (mm)	L5 (mm)	S (mm)
50	54.6	G 1/4"	27	9.5	34	12	2	14
63	67.6	G 1/4"	29.5	9.8	45.3	12	3	14
100	112	G 1/2"	30	10.7	69	20	3	22

Pressure (bar)	Part number Ø50	Part number Ø63	Part number Ø100
-1 / 0	273111-0	273112-0	273113-0
-1 / 0.6	-	273112-06	273113-06
-1 / 1.5	-	273112-1	273113-1
-1 / 3	-	273112-3	273113-3
-1 / 5	-	273112-5	273113-5
-1 / 9	-	273112-9	273113-9
0 / 2.5	273111-2	273112-2*	273113-2*
0 / 4	273111-4	273112-4*	273113-4*
0 / 6	273111-6	273112-6*	273113-6*
0 / 10	273111-10	273112-10*	273113-10*
0 / 16	273111-16	273112-16*	273113-16*
0 / 25	273111-25	273112-25*	273113-25*
0 / 40	273111-40	273112-40	273113-40
0 / 60	273111-60	273112-60	273113-60
0 / 100	273111-100	273112-100	273113-100
0 / 160	273111-160	273112-160	273113-160
0 / 250	273111-250	273112-250	273113-250
0 / 400	-	273112-400	273113-400
0 / 600	-	273112-600	-
0 / 1000	-	273112-1000	-

\*You can order from the low cost range for these models if you add an E to the end of the part number (e.g.: 273112-2E)

## Use

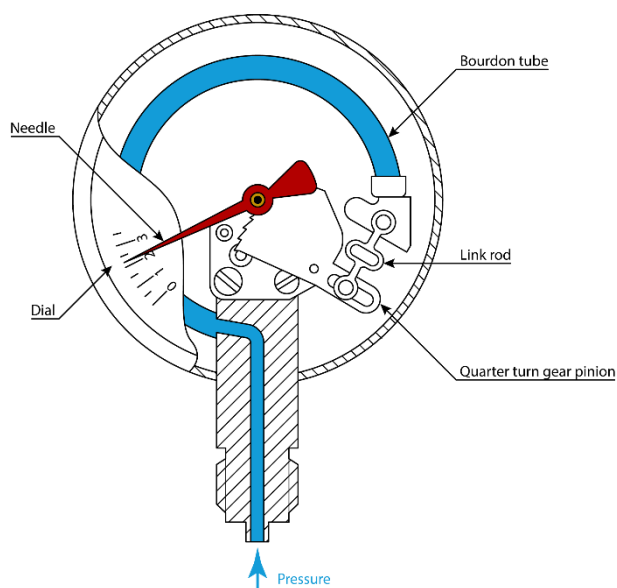
### Description

A Bourdon tube pressure gauge works through the movement of the free end of the tube in response to the measured pressure.

When the pressure increases, the tube unwinds and when the pressure decreases the tube winds up around itself.

The free end of the tube is linked to a needle through a mechanical system that converts the tube's movement into needle rotation.

The pressure gauge includes a graduated dial so that the needle points to the measured pressure.



## Fluids

Bourdon tube pressure gauges can be used for gaseous fluids and non-aggressive, non-viscous and non-crystallising liquids.

You must check the fluid is compatible with copper alloys (brass).

You can fill the case with glycerine to make sure the gauge is easy to read for applications with very dynamic pressure cycles or vibrations.

## Accessories

Here is a list of all of our pressure gauge accessories.

- The pressure gauge can be isolated if you install it on a cock to facilitate maintenance and so that you do not need to purge the piping if you need to carry out maintenance on the measuring instrument.
  - Model **7388**: Pressure gauge cock - with 316 stainless steel Ti valve and body (including bleed screw)
  - Model **7389**: Pressure gauge valve - Brass
  - Model **7377**: Pressure gauge valve - 316 stainless steel Ti
- If you need to cool the fluid, when the fluid temperature is higher than the pressure gauge's temperature range:
  - Model **7346**: Trumpet form siphon - 316 stainless steel
  - Model **7347**: U-form siphon - 316 stainless steel Ti
  - Model **7348**: High pressure straight siphon - 316 stainless steel Ti
  - Model **7304**: Cooling fin - 316 stainless steel
- If you need to protect the pressure gauge from excess pressure:
  - Model **7349**: Pressure limiter - 316 stainless steel
  - Model **7350**: Pressure damper - 316 stainless steel
- Model **7312**: Pressure gauge options:
  - Front or back skirt (axial and vertical)
  - Back fixing bracket (axial)
  - COFRAC calibration certificate

The skirts and brackets cannot be used with the low cost range.
- Model **7305**: Pressure gauge gasket