

Digital display

Model 7303 Digital display



Specifications

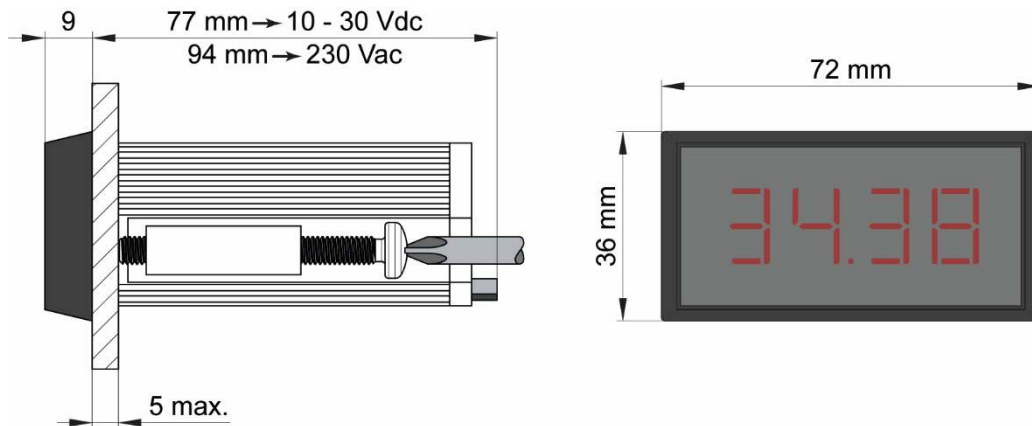
Ambient temperature: 0°C to +50°C

Electrical supply: 10-30 VDC or 230 VAC

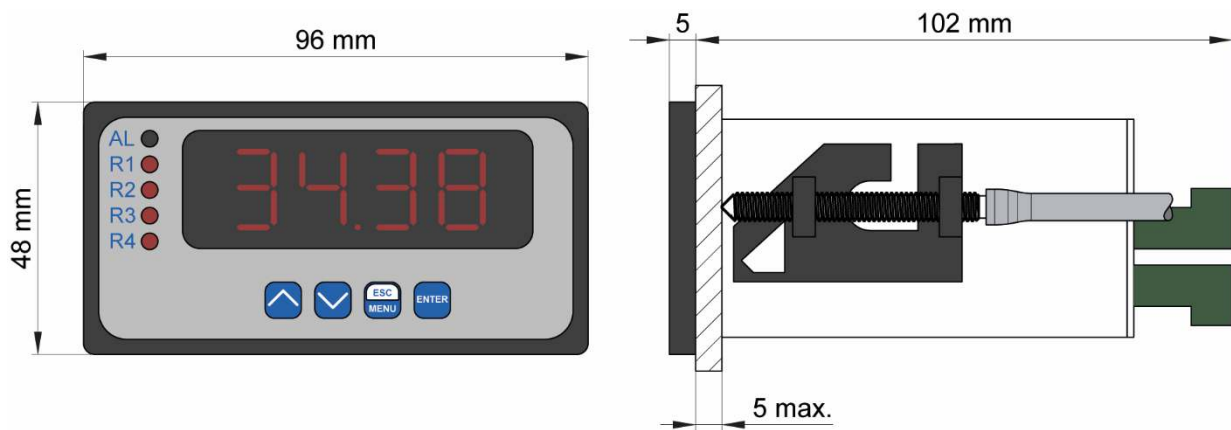
Input: Pt100 or 4-20 mA

Material: Noryl

IP40



Model 973031: No outputs



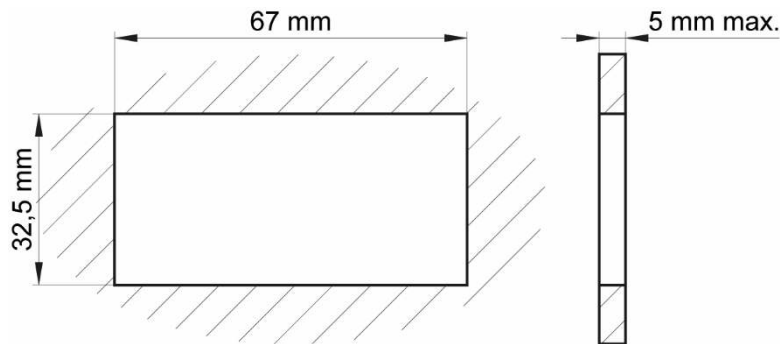
Model 973032 and 973033: 4 SPST and 2 SPST outputs / 4-20 mA

Power supply	Input	No. Of switches / Outputs	Part number
10-30 VDC	Pt100	None	973031-30U
230 VAC	Pt100	None	973031-230U
16-35 VAC or 19-50 VDC	Pt100	4 SPST	973032-35U
85-250 VAC or VDC	Pt100	4 SPST	973032-250U
16-35 VAC or 19-50 VDC	Pt100	2 SPST / 4-20 mA	973033-35U
85-250 VAC or VDC	Pt100	2 SPST / 4-20 mA	973033-250U
10-30 VDC	4-20 mA	None	973031-30I
230 VAC	4-20 mA	None	973031-230I
16-35 VAC or 19-50 VDC	4-20 mA	4 SPST	973032-35I
85-250 VAC or VDC	4-20 mA	4 SPST	973032-250I
16-35 VAC or 19-50 VDC	4-20 mA	2 SPST / 4-20 mA	973033-35I
85-250 VAC or VDC	4-20 mA	2 SPST / 4-20 mA	973033-250I

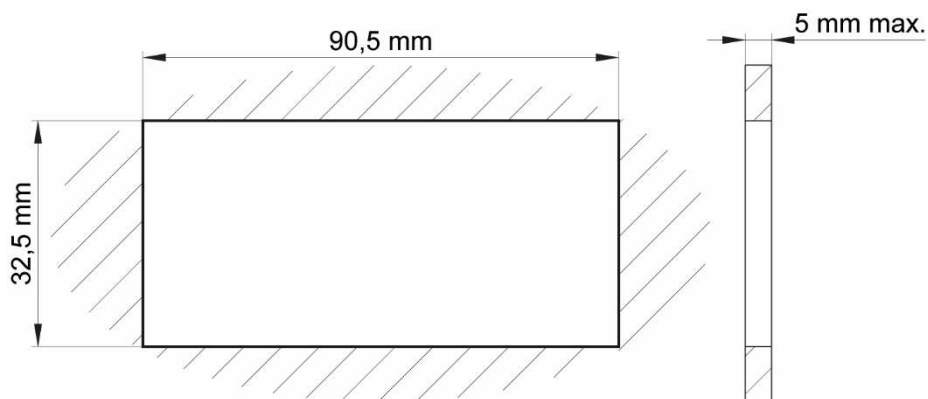
Use

You can use this digital display to interpret analogue outputs from pressure gauges, temperature sensors or ultrasound level sensors, etc. It can transfer and display measured values in a control room, for example. Its design means you can install it into a display panel.

Display panel cutting diagram for
model **973031**: No outputs



Display panel cutting diagram for
model **973032** and **973033**: Outputs 4 SPST and 2 SPST / 4-20 mA



Model **973031** is a simple digital display without outputs. You need to use a remote control to configure it, please contact us for more details.

Models **973032** and **973033** have built-in buttons that you can use to configure them directly. They can also be configured with a remote control, please contact us for more details.

These two models (**973032** and **973033**) have 2 types of programmable output: SPST output (or All or Nothing) that can send an electric current when the input value exceeds a threshold, and an analogue output 4-20 mA that can convert or replicate the input signal to control another device proportionally to the input signal.

Specifications

- Electrical supply/Power used:
 - **973031**:
 - ± 10-30 VDC, combined with the input signal/max. 1 W
 - ± 230 VAC ±10%, not combined with the input signal/max. 1.5 VA
 - **973032** and **973033**:
 - ± 16-35 VDC or 19-50 VDC/max. 6.5 VA
 - ± 85-260 VAC/VDC/max. 6.5 W
- Programmable input signal
 - Pt100 / Pt500 / Pt1000
 - 4-20 mA / 0-20 mA / 0-10 V
 - Thermocouple on request
- Precision at 25°C: ±1% of the measurement scale, stability: 50 ppm/°C
- Outputs for **973032** and **973033**:
 - Switches: SPST relays, max. 30 VDC or 250 VAC, 1 A (cos φ = 1)
 - Analogue: 4-20 mA active, max. 700 Ω
- Screen and visual display:
 - **973031**: 4 digits, red LED 4x13mm
 - ± Input 4-20 mA: -999 to +9999 with a decimal point
 - ± Input Pt100: -100.0°C to +600.0°C
 - **973032** and **973033**: 4 digits, red LED 4x13mm
 - ± Input 4-20 mA: -999 to +9999 with a decimal point
 - ± Input Pt100: -100.0°C to +600.0°C
- Communication interface: RS-485 (ModBus RTU), 8N1/8N2, 1200-115200 bit/s
- Protection rating:
 - **973031**: IP40 front display (for panel installation), IP20 case and connector
 - **973032** and **973033**: IP65 front display (for panel installation), IP20 case and connector
- Allowed temperature: 0°C to +50°C during operation, -10°C to +70°C while in storage

Standards

- This digital display complies with EN 61010-1 safety regulations for electrical devices for measurements, control and laboratory use.
- This digital display complies with EN 61326-1 immunity and emission requirements linked to electromagnetic compatibility.
- This digital display complies with EC Directive 2014/30/EU.