

Butterfly valve accessories

Model 61325 Micrometric handle for flow adjustment for butterfly valves - Ø25 to Ø104

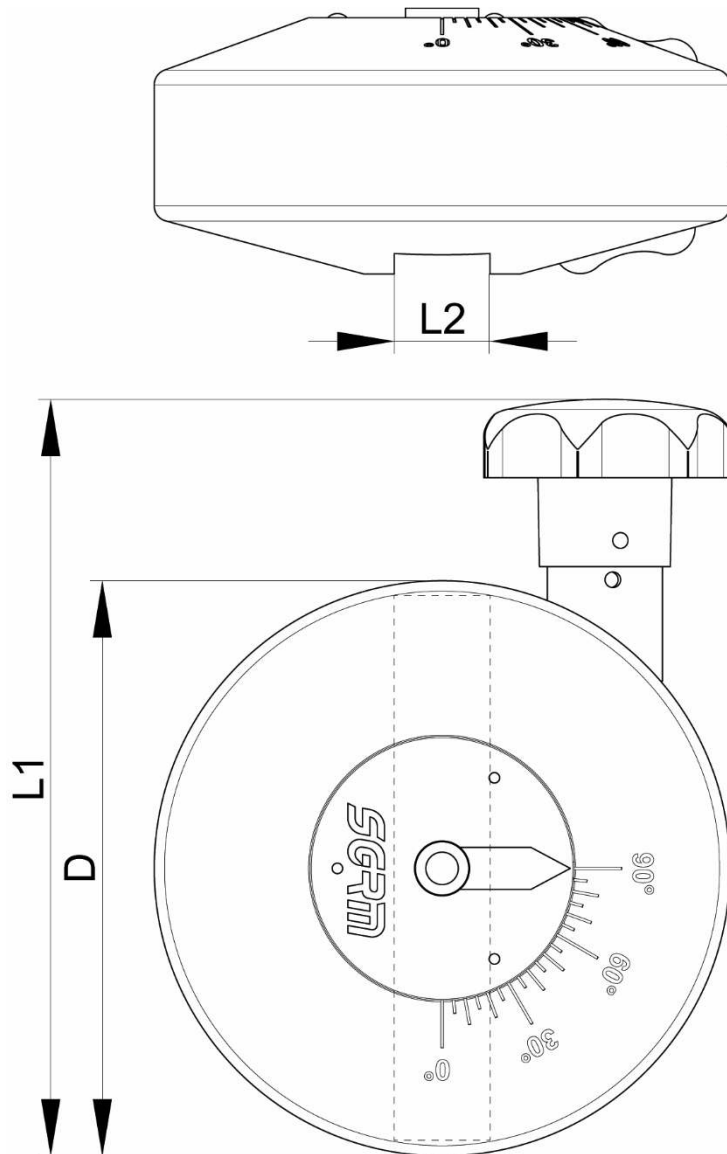


Specifications

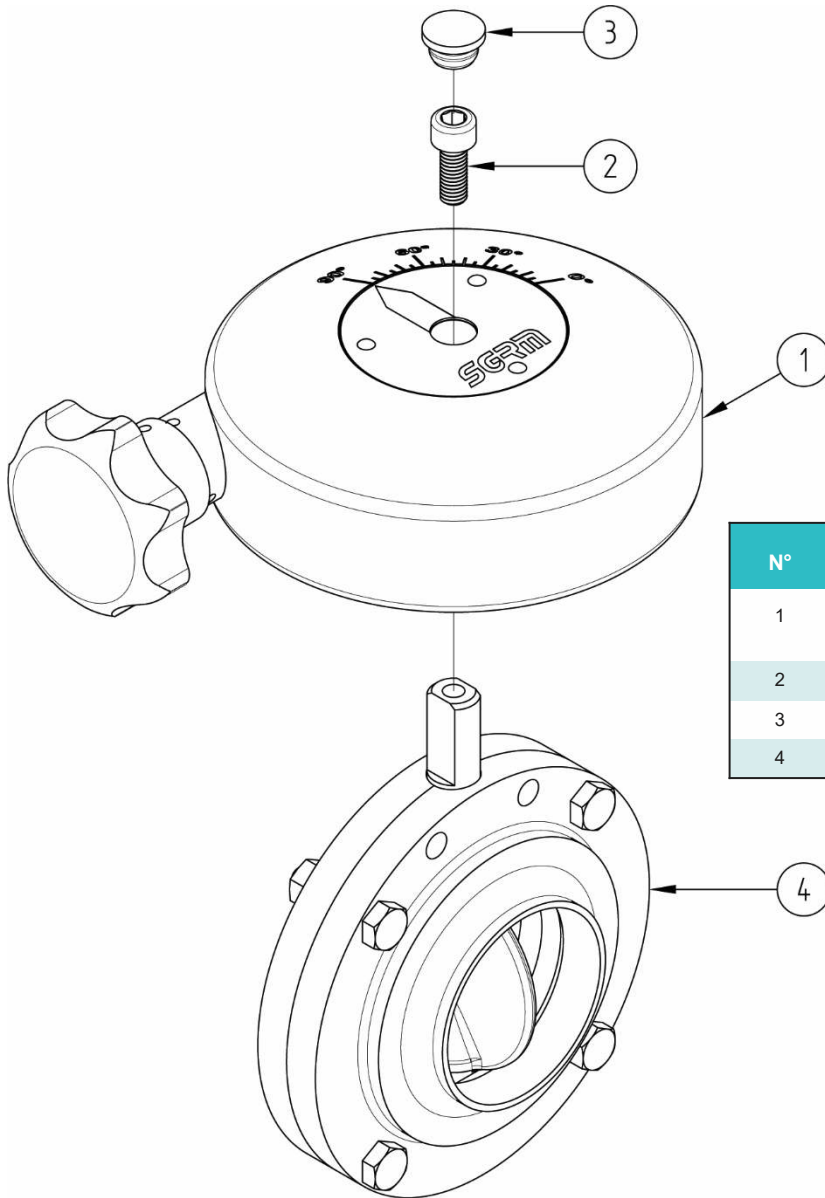
Dimensions: For valves DN25 to DN104
(1" to 4")

Ambient temperature: +90°C max.

Material: Delrin (POM)



Valve DN (mm)	Valve NB (inches)	D (mm)	L1 (mm)	L2 (mm)	Valve shaft (mm)	Weight (kg)	Part number
25 to 76	1" to 3"	110	145	18	8 (f lat side)	0.73	261325-2576SG
80 to 104	3"1/2 to 4"	110	145	32	9.5 x 9.5 (square)	0.73	261325-104SG



N°	Part Name	Material	Quantity
1	MICROMETRIC HANDLE	DELFIN (POM)	1
2	SCREW	STAINLESS STEEL	1
3	PLUG	PLASTIC	1
4	BUTTERFLY VALVE	STAINLESS STEEL	1

Assembly

- Place the flow adjustment handle **1** onto the valve **4**.
 Screw the screw **2** into the butterfly valve's shaft until it is fully tightened.
 Clip the plug **3** on top of the screw in the flow adjustment handle.