

# Butterfly valve accessories

**Model 61322** Plastic handle with trigger for butterfly valves - Ø25 to Ø76



## Specifications

**Dimensions:** DN25 to DN76 (1" to 3")

**Ambient temperature:** +90°C max.

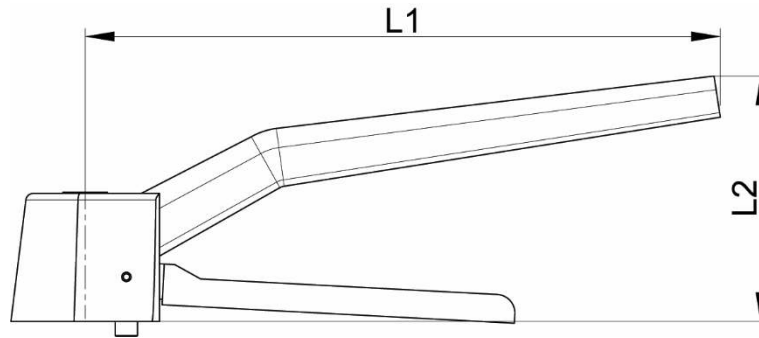
**Material:** Plastic

2-position handle



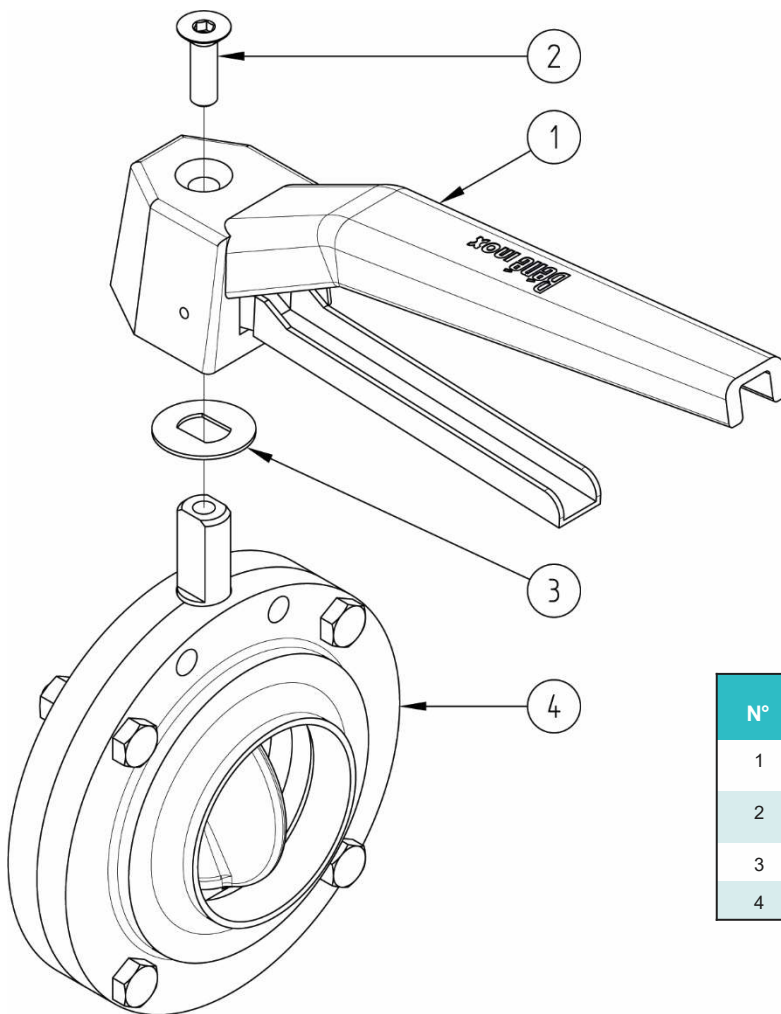
**Béné Inox** – 11 chemin de la Pierre Blanche – 69800 SAINT-PRIEST – S.A.S with 240 000 € share capital – SIREN N° 311 810 287 Tel. N°: +33 (0)4 78 90 48 22 – Fax N°: +33 (0)4 78 90 69 59 – [www.bene-inox.com](http://www.bene-inox.com) – [bene@bene-inox.com](mailto:bene@bene-inox.com)

Technical information, illustrations and photographs are provided for information only, they are not contractual. Some may vary according to the tolerances accepted in the profession and the applicable standards. All instructions for use, disassembly and maintenance are recommendations only. These could also vary depending on product usage conditions, its installation environment and purchaser requirements – of which the purchaser alone is responsible for their definition.



Valve DN (mm)	Valve NB (inches)	L1 (mm)	L2 (mm)	Valve shaft (mm)	Weight (kg)	Part number
25 to 76	1" to 3"	172	63	8 (f lat side)	0.16	961322-2576

2-position handle: open/closed



N°	Part Name	Material	Quantity
1	HANDLE	AISI 304	1
2	SCREW	A2 STAINLESS STEEL	1
3	WASHER	STAINLESS STEEL	1
4	BUTTERFLY VALVE	STAINLESS STEEL	1

## Assembly

Place the washer **3** onto the butterfly valve's shaft **4**.  
Slide the handle **1** on top of the washer **3**.  
Screw the screw **2** into the butterfly valve's shaft **4**.

**Béné Inox** – 11 chemin de la Pierre Blanche – 69800 SAINT-PRIEST – S.A.S with 240 000 € share capital – SIREN N° 311 810 287 Tel. N°: +33 (0)4 78 90 48 22 – Fax N°: +33 (0)4 78 90 69 59 – [www.bene-inox.com](http://www.bene-inox.com) – [bene@bene-inox.com](mailto:bene@bene-inox.com)

Technical information, illustrations and photographs are provided for information only, they are not contractual. Some may vary according to the tolerances accepted in the profession and the applicable standards. All instructions for use, disassembly and maintenance are recommendations only. These could also vary depending on product usage conditions, its installation environment and purchaser requirements – of which the purchaser alone is responsible for their definition.