

Filters

Y filter female/female threaded - 316 Stainless Steel

Model 58813 BSP female threading

Model 58815 NPT threading



Specifications

Dimensions: DN8 to DN50 (1/4" to 2")

Connections: BSP female threaded according to ISO 7/1
NPT threaded according to ASME B1.20.1

Pressure: PN40 (800 lbs)

Temperature: from -25°C to +180°C

Material: 316 or CF8M stainless steel

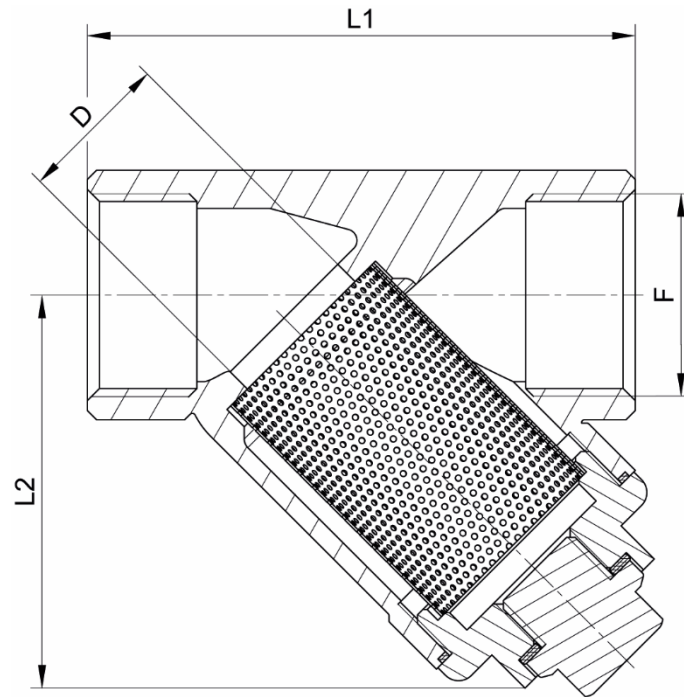
With bleed plug (from DN10)

PTFE gaskets

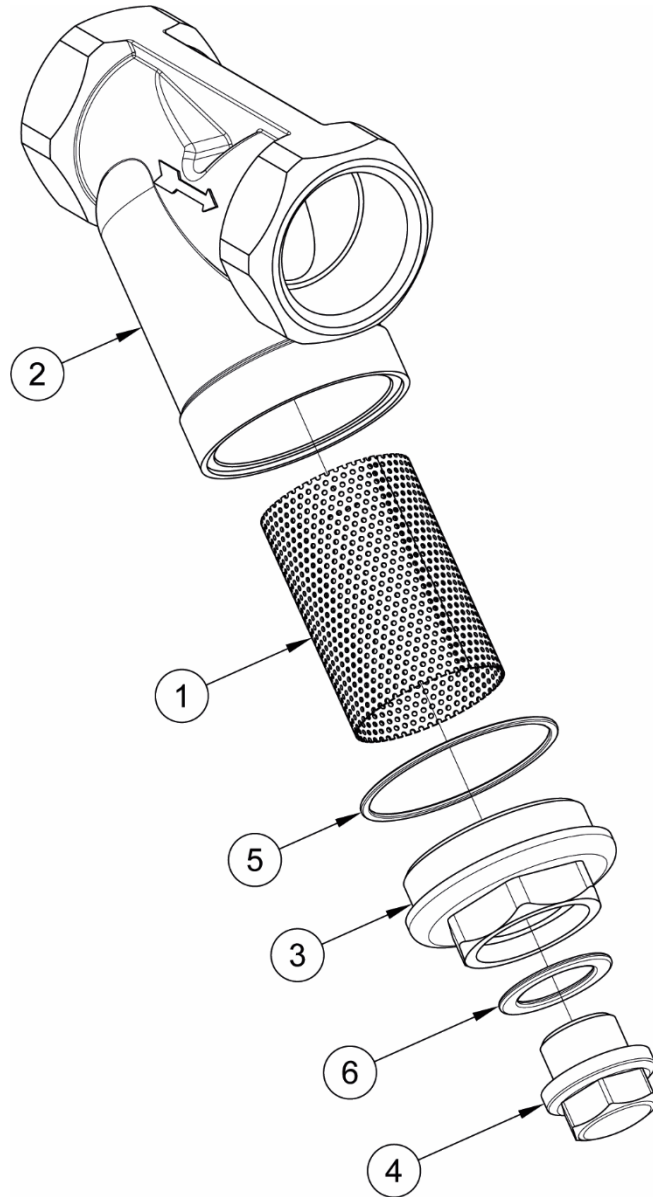


Béné Inox – 11 chemin de la Pierre Blanche – 69800 SAINT PRIEST – S.A.S with 240 000 € share capital – SIREN N° 311 810 287
Tel. N°: +33 (0)4 78 90 48 22 – Fax N°: +33 (0)4 78 90 69 59 – www.bene-inox.com – bene@bene-inox.com

Technical information, illustrations and photographs are provided for information only, they are not contractual. Some may vary according to the tolerances accepted in the profession and the applicable standards. All instructions for use, disassembly and maintenance are recommendations only. These could also vary depending on product usage conditions, its installation environment and purchaser requirements – of which the purchaser alone is responsible for their definition.



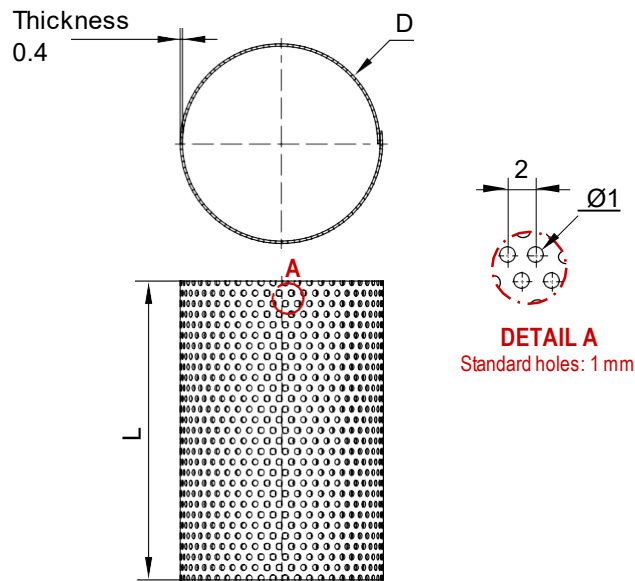
DN (mm)	NB (inches)	F (inches)	L1 (mm)	L2 (mm)	D (mm)	Weight (kg)	BSP part number	NPT part number
8	1/4"	1/4"	64	43	10	0.22	458813-8	458815-8
10	3/8"	3/8"	64	43	12	0.22	458813-10	458815-10
15	1/2"	1/2"	64	45	15	0.23	458813-15	458815-15
20	3/4"	3/4"	80	52	20	0.35	458813-20	458815-20
25	1"	1"	90	68	25	0.62	458813-25	458815-25
32	1"1/4	1"1/4	106	70	32	0.84	458813-32	458815-32
40	1"1/2	1"1/2	119	80	40	1.08	458813-40	458815-40
50	2"	2"	140	98	50	1.65	458813-50	458815-50



N°	Part Name	Material
1	BODY	CF8M
2	FINE SIEVE	SS316
3	CAP	CF8M
4	BLEED PLUG*	SS316
5	CAP GASKET	PTFE
6	PLUG GASKET	FKM

*not present for DN8

Fine Sieve: part N° 2

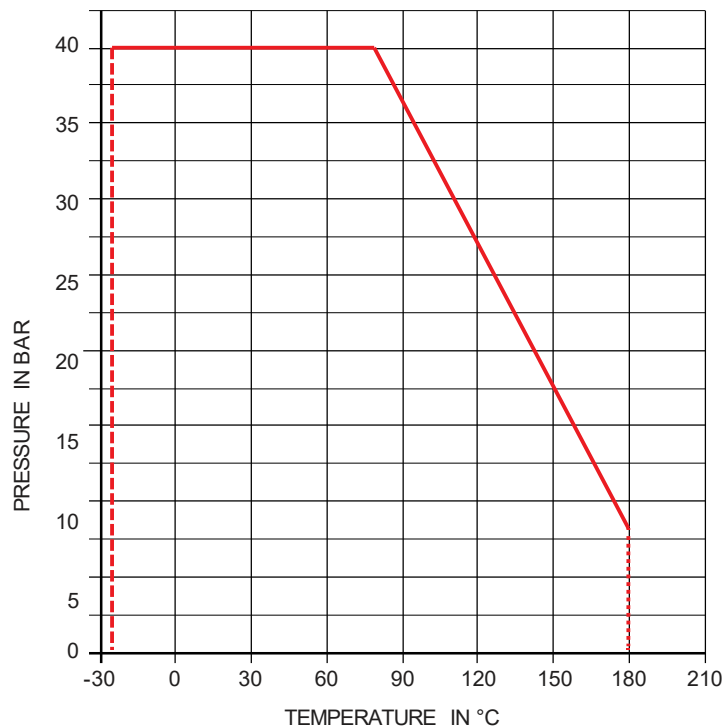


DN (mm)	NB (inches)	L (mm)	D (mm)	Part number Standard 1 mm holes	Part number 0.6 mm holes	Part number 0.25 mm holes	Part number 0.1 mm holes
8	1/4"	29.0	19.0	458819-8	458819-8M0,6	458819-8M0,25	458819-8M0,1
10	3/8"	29.0	19.0	458819-10	458819-10M0,6	458819-10M0,25	458819-10M0,1
15	1/2"	29.0	19.0	458819-15	458819-15M0,6	458819-15M0,25	458819-15M0,1
20	3/4"	40.5	23.5	458819-20	458819-20M0,6	458819-20M0,25	458819-20M0,1
25	1"	49.0	33.0	458819-25	458819-25M0,6	458819-25M0,25	458819-25M0,1
32	1"1/4	54.0	36.0	458819-32	458819-32M0,6	458819-32M0,25	458819-32M0,1
40	1"1/2	64.0	44.0	458819-40	458819-40M0,6	458819-40M0,25	458819-40M0,1
50	2"	76.0	54.0	458819-50	458819-50M0,6	458819-50M0,25	458819-50M0,1

Use

Pressure and temperature

For pressure/temperature ratings, see the graph below.



Warning: For usage temperatures above 60°C there is a risk of burns.

Fluids

This valve is suitable for non-coagulable fluids, subject to the chemical compatibility of the parts in contact.

Flow coefficient and pressure loss

Dimensions	DN 8	DN 10	DN 15	DN 20	DN 25	DN 32	DN 40	DN 50
	1/4"	3/8"	1/2"	3/4"	1"	1"1/4"	1"1/2"	2"
Cv (gal/min)	1.7	3.4	3.9	7.7	11.3	17.4	31.0	41.3
Kv (m ³ /h)	1.44	2.88	3.3	6.6	9.7	14.9	26.6	35.4

The flow coefficient Kv defines the water flow rate through a device (e.g. valve, check valve etc.) for pressure loss (ΔP) of 1 bar. Kv is expressed mathematically as:

$$\Delta P = \frac{Q^2}{Kv^2} \quad \text{so:} \quad Kv = \frac{Q}{\sqrt{\Delta P}} \quad \begin{array}{l} Q \text{ in m}^3/\text{h} \\ \Delta P \text{ in bar} \end{array}$$

Assembly and maintenance instructions

Installation

The filter must be fitted taking into account the direction of fluid circulation indicated on the filter (see the direction of the arrow on the filter itself). The filter can be mounted in any position, however, to facilitate the draining and cleaning of the filter, it is recommended to install it on a vertical pipe with fluid moving downwards, or on a horizontal pipe with the fine sieve facing downwards.

Ensure that the planned location is sufficiently clear from obstructions for maintenance operations to be performed. Check that the installation is clean and free from foreign bodies that could damage the filter.

Make sure that the piping is perfectly aligned and its support structure sufficiently dimensioned so that the filter is not subject to any external stresses. The support structure must support the pipes and not the filter body directly.

Installing the filter:

Do not use the central part of the filter when you are tightening the assembly. To ensure the sealing of the threaded connections, use a product suitable for the working conditions (e.g. model **529I** anaerobic adhesive, PTFE tape etc.).

Clean the installation so that there are no impurities that could block the piping and damage the filter.

Carry out installation pressure testing without exceeding the specifications of the filter, and according to the applicable standards.

Maintenance

The maintenance and removal/reassembly of the filter must be carried out by personnel who are qualified and trained for this type of intervention.



Before working on the filter check that the installation has been stopped and that the piping is empty and is not pressurised.

Warning: For usage temperatures above 60°C there is a risk of burns.

Warning: Be careful of hazardous materials - follow supplier usage instructions.

As the filter is intended to retain impurities and foreign bodies, it is necessary to plan for regular filter cleaning, as well as to periodically check that the sieve element (fine sieve **2**) is not blocked, as this could reduce the efficiency of the filter or even destroy it.

The frequency of this operation is to be defined by the user according to the characteristics of the fluid passing through it.

To drain the filter, unscrew the bleed plug **4** (if the filter has this part) and/or unscrew the cap **3** to completely remove the fine sieve for cleaning.

Before reassembling the filter, check that the various parts are in good condition. It is advisable to replace the gaskets.

Standards and compliance

- Connection: BSP female threading in accordance with EN ISO 7/1
- Leakage testing in accordance with EN 12266 / API 598
- Complies with European Pressure Equipment Directive (PED) 2014/68/EU (formerly 97/23/EC)
- This is outside of the scope of Directive 2014/34/EU as this product does not have its “own” ignition source.

(see paragraph §41 regarding “own” ignition sources in the ATEX GUIDELINES 2014/34/EU)