

# Butterfly valves

**Model 50654** Butterfly valve with locating holes - stainless steel body and butterfly - EPDM gasket (58429) and fail-safe electric actuator IP66 (50841)



## Specifications

### ⇒ Valve

**Dimensions:** DN50 to DN125 (2" to 5")

**Connection:** with flanges PN6/PN10/  
PN16/150 lbs

**Operating pressure:** 16 bar

**Operating temperature:** -30°C to +110°C

**Material:** CF8M stainless steel body and butterfly and EPDM ACS sleeve gasket

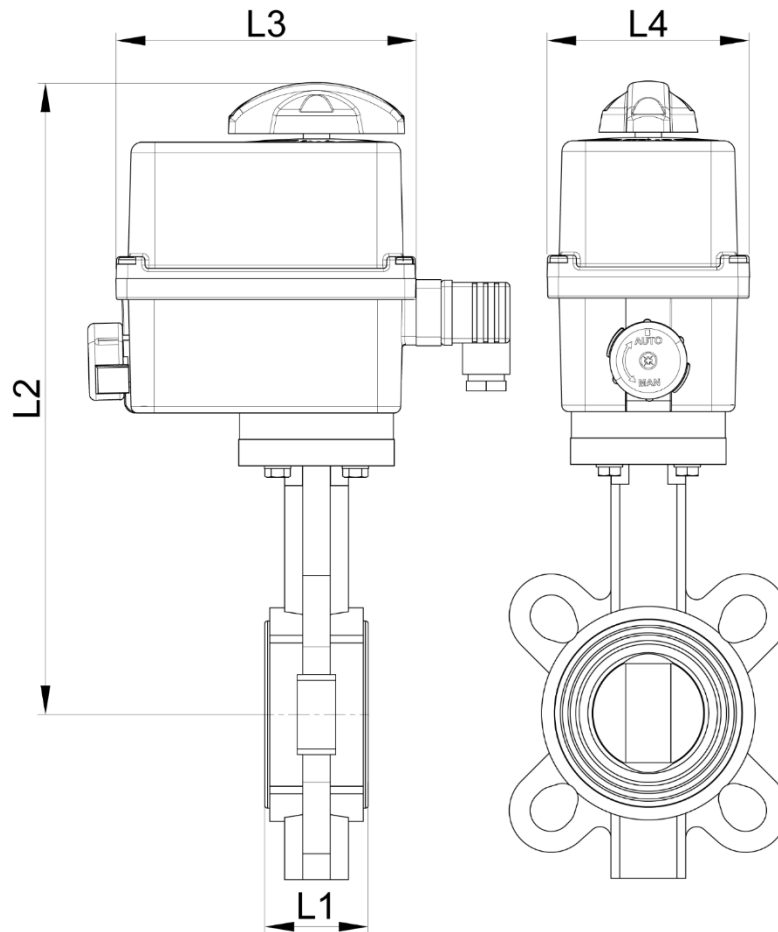
### ⇒ Electric actuator

**Operating temperature:** -10°C to +40°C

Plastic housing IP66

Visual position indicator

Regulated anti-condensation heater

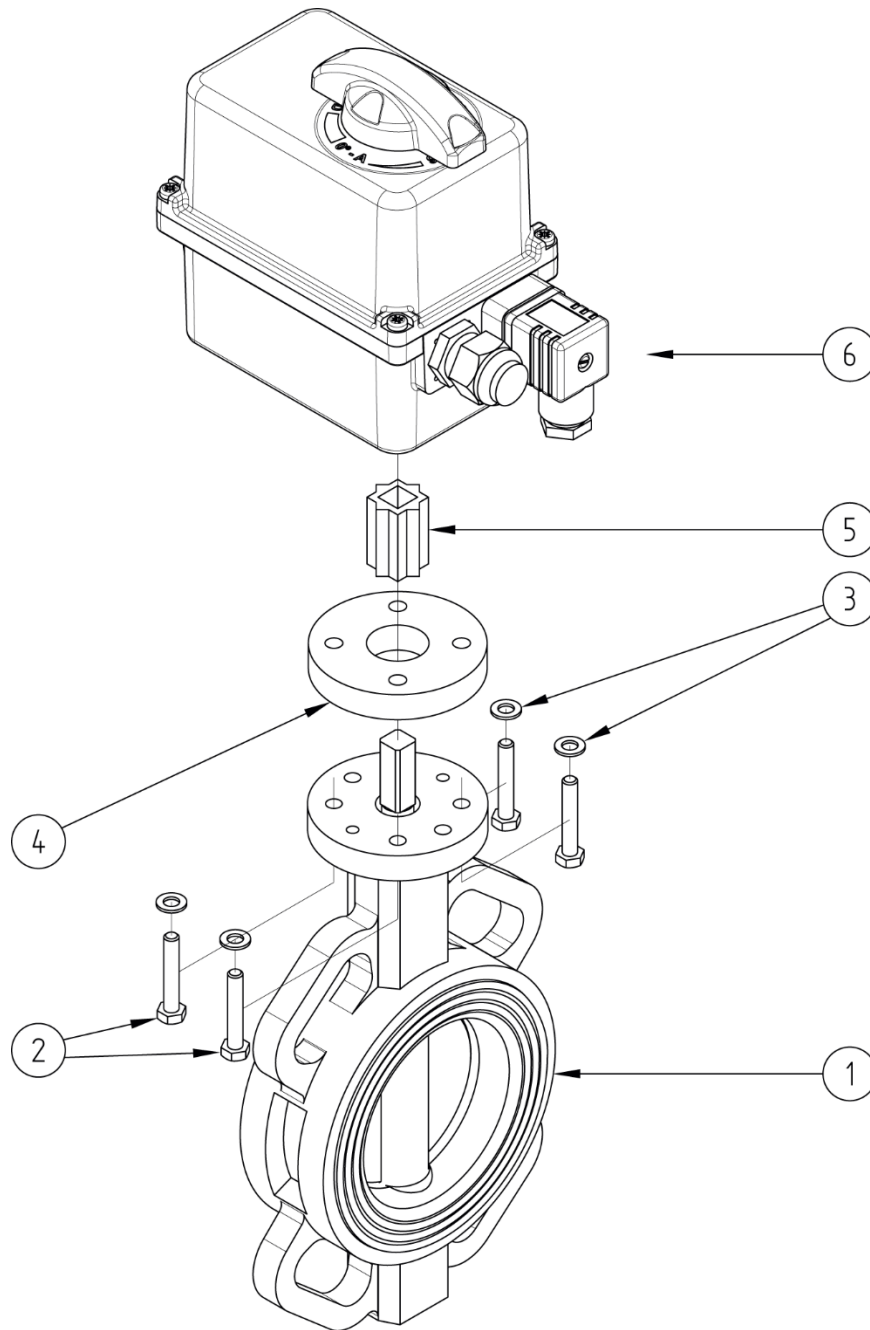


**100-230V 50/60Hz and 100-350V DC**

DN (mm)	NB (inches)	L1 (mm)	L2 (mm)	L3 (mm)	L4 (mm)	Opening/ closing time (s)	Weight (kg)	Part number
50	2"	42.5	291	136	92	12	3.90	450654-50A
65	2"1/2	45.5	321	151	128	7	5.50	450654-65A
80	3"	46	328	151	128	7	6.10	450654-80A
100	4"	52	349	151	128	12	7.80	450654-100A
125	5"	55.5	370	151	128	23	9.30	450654-125A

**15-30V 50/60Hz and 12-48V DC**

DN (mm)	NB (inches)	L1 (mm)	L2 (mm)	L3 (mm)	L4 (mm)	Opening/ closing time (s)	Weight (kg)	Part number
50	2"	42.5	291	136	92	12	3.90	450654-50B
65	2"1/2	45.5	321	151	128	7	5.50	450654-65B
80	3"	46	328	151	128	7	6.10	450654-80B
100	4"	52	349	151	128	12	7.80	450654-100B
125	5"	55.5	370	151	128	22	9.30	450654-125B



N°	Part Name	Material	Quantity
1	BUTTERFLY VALVE (58429)	CF8M	1
2	FIXING BOLT	STAINLESS STEEL	4
3	WASHER	STAINLESS STEEL	4
4	ADAPTER PLATE	STAINLESS STEEL	0 or 1
5	COUPLING	STAINLESS STEEL	1
6	ELECTRIC ACTUATOR (50841)	PLASTIC	1

You can refer to the following product data sheets for more technical information:

- **58429:** Butterfly valve with locating holes, manual operation
- **50841:** Fail-safe 1/4 turn (90°) electric actuator - IP66

**Béné Inox** – 11 chemin de la Pierre Blanche – 69800 SAINT-PRIEST – S.A.S with 240 000 € share capital – SIREN N° 311 810 287  
Tel. N°: +33 (0)4 78 90 48 22 – Fax N°: +33 (0)4 78 90 69 59 – [www.bene-inox.com](http://www.bene-inox.com) – [bene@bene-inox.com](mailto:bene@bene-inox.com)

Technical information, illustrations and photographs are provided for information only, they are not contractual. Some may vary according to the tolerances accepted in the profession and the applicable standards. All instructions for use, disassembly and maintenance are recommendations only. These could also vary depending on product usage conditions, its installation environment and purchaser requirements – of which the purchaser alone is responsible for their definition.