

Butterfly Valves

Model 50510 Butterfly valve with locating holes - cast iron body - stainless steel butterfly - EPDM gasket (58419) with aluminium pneumatic actuator (50800)



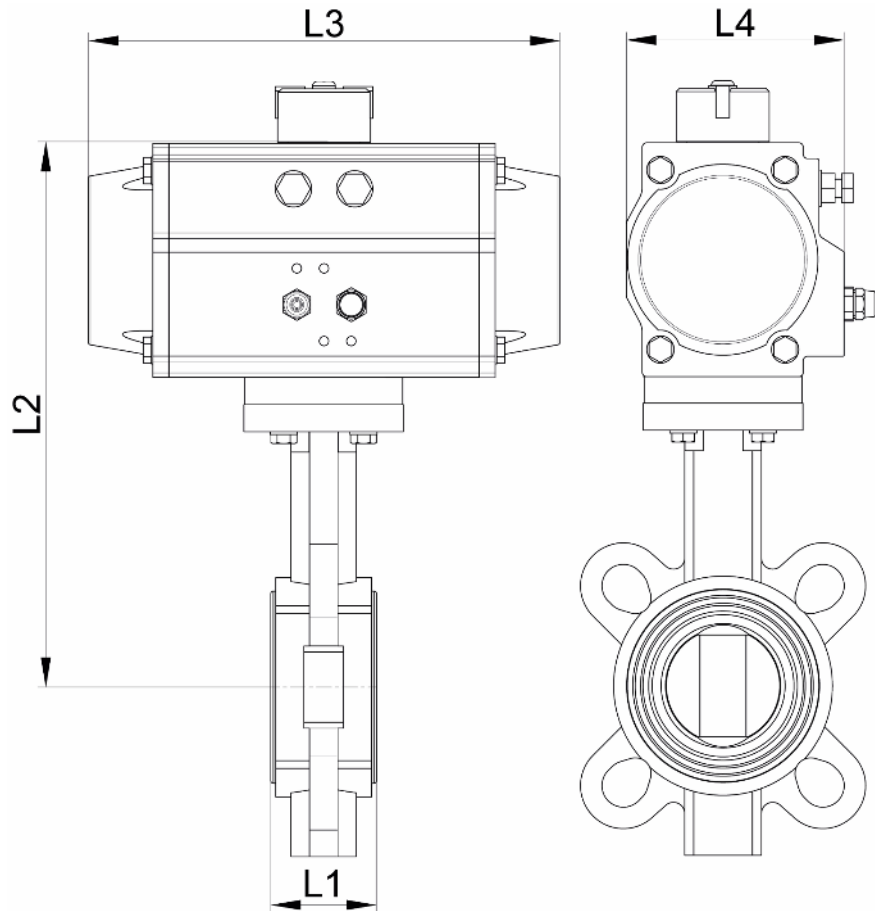
Specifications

⇒ Valve

Dimensions: DN40 to DN250 (1"1/2 to 10")
Connection: with flanges PN6/PN10/PN16/150 lbs
Operating pressure: 16 bar
Temperature: - 30°C to +110°C
Material: cast iron GGG50 (GJS 500-7), CF8M and EPDM ACS (French Certificate of Sanitary Compliance) sleeves

⇒ Pneumatic actuator

Air connection: 1/8" or 1/4"
Operating pressure: 6 to 8 bar
Operating temperature: -20°C to +80°C
Material: aluminium



Spring return

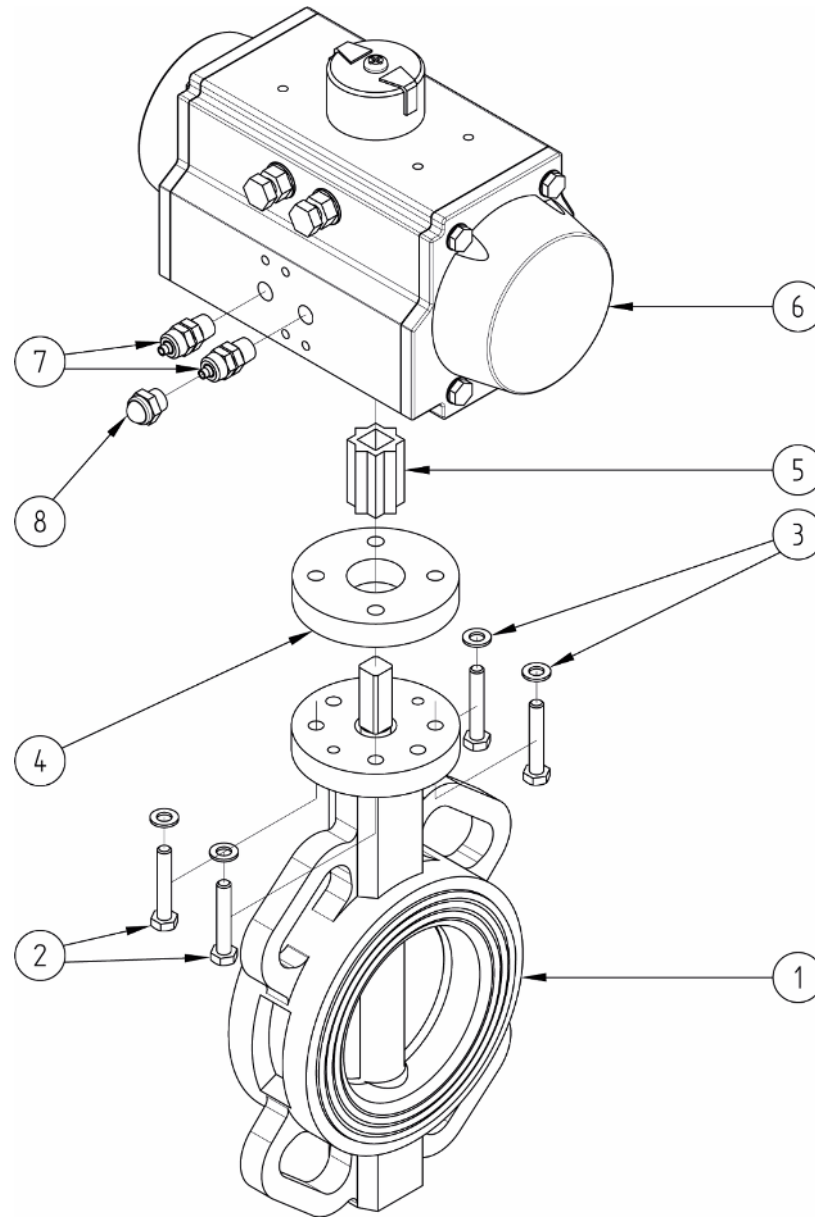
DN (mm)	NB (inches)	L1 (mm)	L2 (mm)	L3 (mm)	L4 (mm)	Weight (kg)	Part number
40	1"1/2	33	260	208	96	5.85	450510-40SE
50	2"	42.5	242	208	96	5.95	450510-50SE
65	2"1/2	45.5	261	248	108	7.60	450510-65SE
80	3"	46	268	248	108	8.20	450510-80SE
100	4"	52	301	268	123	11.50	450510-100SE
125	5"	55.5	353	347	151	18.30	450510-125SE
150	6"	55.5	366	347	151	22.30	450510-150SE
200	8"	60	441	475	202	36.90	450510-200SE
250	10"	67	487	475	202	44.90	450510-250SE

Double-acting type

DN (mm)	NB (inches)	L1 (mm)	L2 (mm)	L3 (mm)	L4 (mm)	Weight (kg)	Part number
40	1"1/2	33	260	208	96	5.85	450510-40DE
50	2"	42.5	242	208	96	5.95	450510-50DE
65	2"1/2	45.5	248	208	96	6.45	450510-65DE
80	3"	46	255	208	96	7.05	450510-80DE
100	4"	52	289	248	108	9.90	450510-100DE
125	5"	55.5	310	248	108	11.40	450510-125DE
150	6"	55.5	335	268	123	17.00	450510-150DE
200	8"	60	403	347	151	26.30	450510-200DE
250	10"	67	487	475	202	44.90	450510-250DE
300	12"	77	531	475	202	54.90	450510-300DE

Béné Inox – 11 chemin de la Pierre Blanche – 69800 SAINT-PRIEST – S.A.S with 240 000 € share capital – SIREN N° 311 810 287
Tel. N°: +33 (0)4 78 90 48 22 – Fax N°: +33 (0)4 78 90 69 59 – www.bene-inox.com – bene@bene-inox.com

Technical information, illustrations and photographs are provided for information only, they are not contractual. Some may vary according to the tolerances accepted in the profession and the applicable standards. All instructions for use, disassembly and maintenance are recommendations only. These could also vary depending on product usage conditions, its installation environment and purchaser requirements – of which the purchaser alone is responsible for their definition.



N°	Part Name	Material	Quantity
1	BUTTERFLY VALVE (58419)	GGG50 / CF8M	1
2	FIXING SCREW	STAINLESS STEEL	4
3	WASHER	STAINLESS STEEL	4
4	ADAPTER PLATE	STAINLESS STEEL	1
5	COUPLER	STAINLESS STEEL	1
6	PNEUMATIC ACTUATOR	ALUMINIUM	1
7	CAPPED PNEUMATIC CONNECTOR	NICKEL-PLATED BRASS	1 (SE) or 2 (DE)
8	EXHAUST SILENCER	NICKEL-PLATED BRASS	1 (SE)

You can refer to the following product data sheets for more technical information:

- 58419-LMOD1: Butterfly valve with locating holes, manual operation
- 50800SE-LMOD1: Spring return pneumatic actuator
- 50800DE-LMOD1: Double-acting type pneumatic actuator

Béné Inox – 11 chemin de la Pierre Blanche – 69800 SAINT-PRIEST – S.A.S with 240 000 € share capital – SIREN N° 311 810 287
Tel. N°: +33 (0)4 78 90 48 22 – Fax N°: +33 (0)4 78 90 69 59 – www.bene-inox.com – bene@bene-inox.com

Technical information, illustrations and photographs are provided for information only, they are not contractual. Some may vary according to the tolerances accepted in the profession and the applicable standards. All instructions for use, disassembly and maintenance are recommendations only. These could also vary depending on product usage conditions, its installation environment and purchaser requirements – of which the purchaser alone is responsible for their definition.